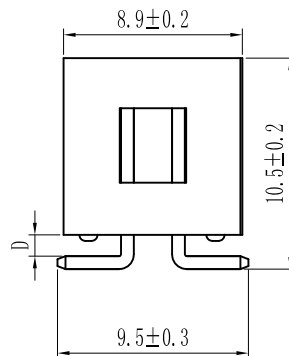
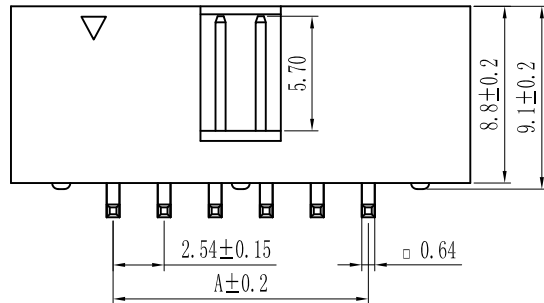
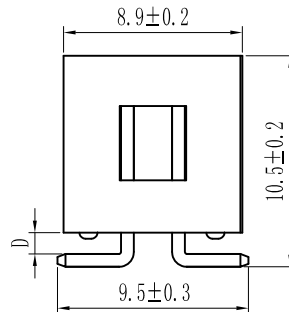
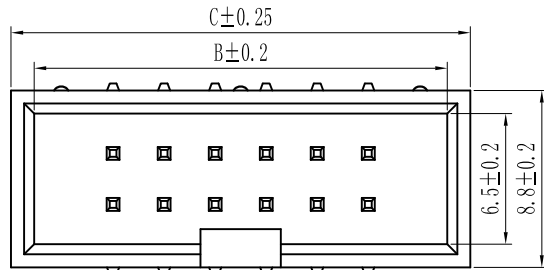


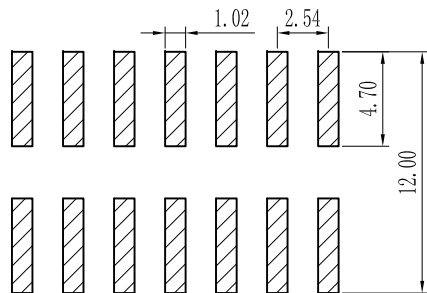
ROHS

For reference only

Pin数	尺寸A	尺寸B	尺寸C
2×3	5.08	12.94	15.24
2×4	7.62	15.48	17.78
2×5	10.16	18.02	20.32
2×6	12.70	20.56	22.86
2×7	15.24	23.10	25.40
2×8	17.78	25.64	27.94
2×9	20.32	28.18	30.48
2×10	22.86	30.72	33.02
2×11	25.40	33.26	35.56
2×12	27.94	35.80	38.10
2×13	30.48	38.34	40.64
2×14	33.02	40.88	43.18
2×15	35.56	43.42	45.72
2×16	38.10	45.96	48.26
2×17	40.64	48.50	50.80
2×18	43.18	51.04	53.34
2×19	45.72	53.58	55.88
2×20	48.26	56.12	58.42
2×21	50.80	58.66	60.96
2×22	53.34	61.20	63.50
2×23	55.88	63.74	66.04
2×24	58.42	66.28	68.58
2×25	60.96	68.82	71.12
2×26	63.50	71.36	73.66
2×27	66.04	73.90	76.20
2×28	68.58	76.44	78.74
2×29	71.12	78.98	81.28
2×30	73.66	81.52	83.82
2×31	76.20	84.06	86.36
2×32	78.74	86.60	88.90



PCB LAYOUT



Specification:
 Current Rating : 3AMP
 Temperature Range : -40°C to +105°C
 Contact Resistance : 20mΩ Max
 Insulation Resistance : 1000MΩ Min
 Withstanding Voltage : AC 1000V
 Material:
 Insulator : Polyester (UL94V-0)
 Standard: PBT/PA6T/LCP
 Contact: Brass
 Plating : Au or Sn Over 50u" Ni



GENERAL TOLERANCES	
LINEAR	ANGLES
0.0±0.25	X° REF±6°
0.00±0.15	X° ±3°
0.000±0.08	X° X'±2°

SCALE:	NAME	DATE
1:1		
APPROVED		
DESIGNER		
DRAWN		

深圳市联索连接器有限公司
 SHENZHEN UNICABLE CONNECTOR CO., LTD.

公司网址WWW.SZLSTC.CN 公司电话0755-23765650
 公司邮箱SZLSTC@126.COM 公司传真0755-23765753

TITLE:
 Pitch2.54mm Box Header, Dual Row, Plastic
 Height 8.8mm, SMT (without Local Peg) Type

PART. NO:	LSBH-0040	
DWG. NO:	ENDE2040	
REV:	A0	SHEET: 1/1

REVISION RECORD

DATE

UNIT: MM

SIZE: A4

0.000±0.08

X° X'±2°

DRAWN