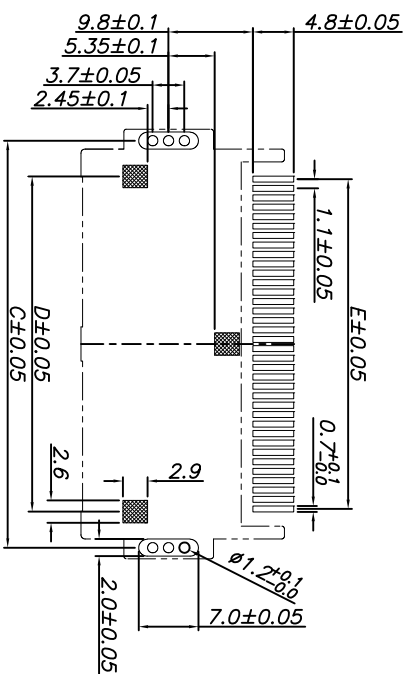
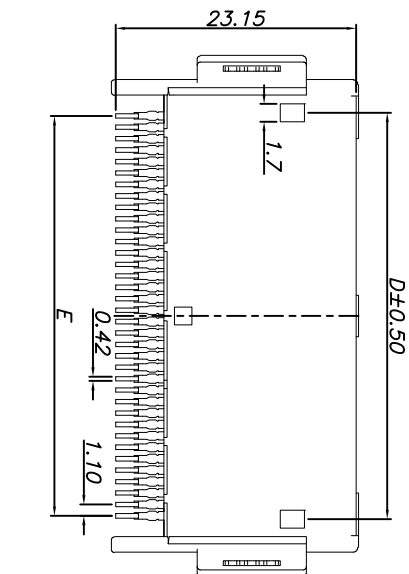
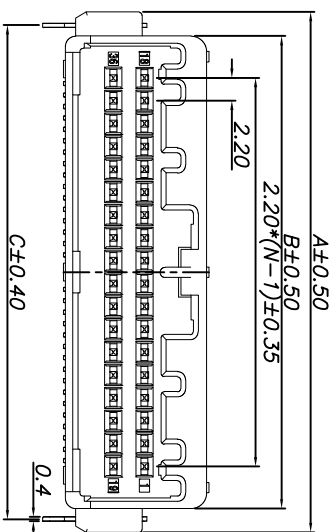
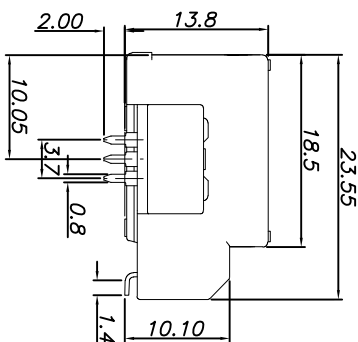


环保物料

Reference Informations:  
 \*Material: Pin: Brass  
 Wafer: Nylon & PBT, UL94V-0

Dimensional Information:

Part No	Dimensions				
	A	B	C	D	E
2*6P	23.70	19.10	21.10	12.70	12.10
2*8P	28.10	23.50	25.50	17.10	16.50
2*10P	32.50	27.90	29.90	21.50	20.90
2*12P	36.90	32.30	34.30	25.90	25.30
2*14P	41.30	36.70	38.70	30.30	29.70
2*16P	45.70	41.10	43.10	34.70	34.10
2*18P	50.10	45.50	47.50	39.10	38.50
2*20P	54.50	49.90	51.90	43.50	42.90



P.C.B. LAYOUT



深圳市联泰连接器有限公司  
 SHENZHEN UMICABLE CONNECTOR CO., LTD.  
 公司地址: WW, SZ1STC, CN  
 公司邮箱: SZ1STC@126.COM  
 公司电话: 0755-23765650  
 公司传真: 0755-23765753

PART. NO: 42203W90-2\*N\*-A2-\*\*  
 DWG. NO: ENDE05

TITLE: 2.20mm pitch Dual Wafer

REV: A0 SHEET: 1/1



GENERAL TOLERANCES  
 LINEAR 0.0±0.25  
 ANGLES X° REF.±6°  
 X° ±3°  
 X° X'±2°

SCALE: 1:1  
 APPROVED  
 DESIGNER

NAME: 肖丽娟  
 DATE: 2018.07.28

REVISION RECORD

REV.	REVISION RECORD	DATE	SIZE: A4	0.000±0.08
A0	新图面发行	2018.07.28	UNIT: MM	0.00±0.15

1 2 3 4 5 6 7 8