

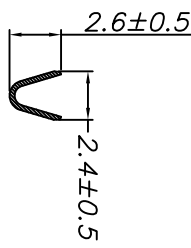
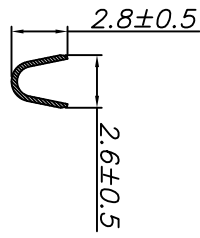
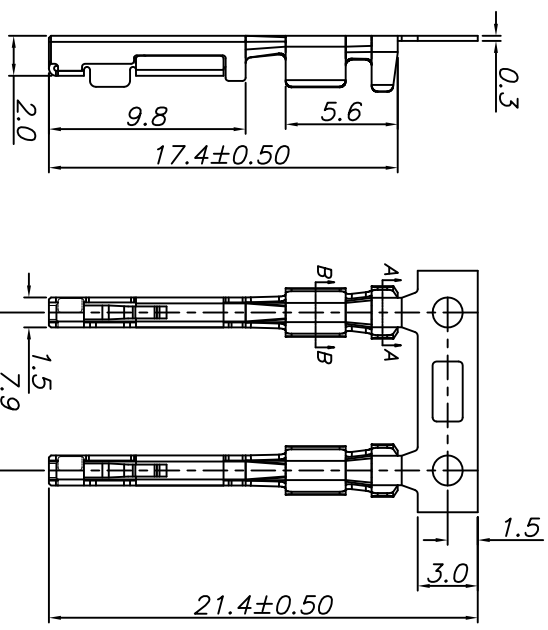
环保物料

Reference Informations:
 *Used in 42203 Receptacle Housing

Ordering Information & Specifications

Part No	Wire Range	Insulation O. D.	Material	Finish
42202T 0P-00	AWG#22 -#28	1.00mm (max)	Phosphor Bronze	Au or Sn

Unit: mm



GENERAL TOLERANCES		SCALE: 1:1		NAME	DATE
L INEAR	ANGLES	APPROVED			
0.0±0.25	X° REF±6°	DESIGNER			
	X° ±3°	DRAWN	肖丽娟	2018.07.28	
	X° X'±2°				
REV.	REVISION RECORD	DATE	UNIT: MM	SIZE: A4	SIZE: 0.000±0.08
A0	新图面发行	2018.07.28			
1					
2					
3					
4					
5					
6					
7					
8					

深圳市联泰连接器有限公司
 SHENZHEN UNIGABLE CONNECTOR CO., LTD.
 公司网址 WWW.SZLSTC.CN
 公司邮箱 SZLSTC@126.COM
 公司电话 0755-23765650
 公司传真 0755-23765783

TITLE:
 2.20mm pitch Crimp Terminal

PART. NO:
42203TOP-*

DWG. NO:
 ENDE05
 REV: A0 SHEET: 1/1