

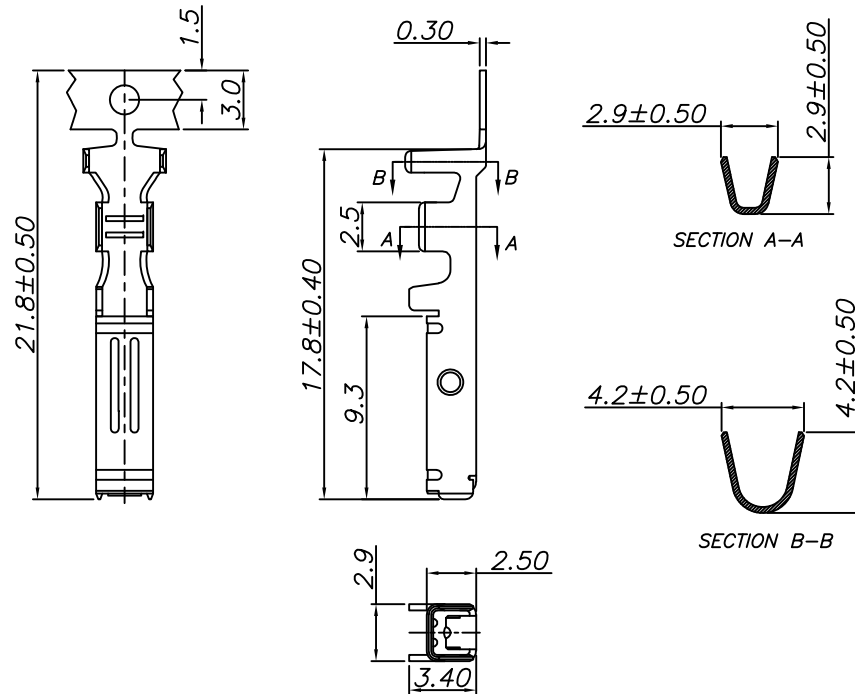
环保物料

Reference Informations:  
\*Used in 43811 Receptacle Housing

Ordering Information & Specifications

Part No	Wire Range	Insulation O. D.	Material	Finish
43811T 0P-**	AWG#16 -#20	1.25mm (max)	Phosphor Bronze	Au or Sn

Unit: mm



REV.	REVISION RECORD	DATE	SIZE: A4	GENERAL TOLERANCES		SCALE: 1:1	NAME	DATE	深圳市联索连接器有限公司 SHENZHEN UNICABLE CONNECTOR CO., LTD. 公司网址WWW.SZLSTC.CN 公司邮箱SZLSTC@126.COM 公司电话0755-23765650 公司传真0755-23765753	PART. NO: 43811TOP-**	
				UNIT: MM	0.00±0.15					X° ±3°	APPROVED
A0	新图面发行	2018.07.28	UNIT: MM	0.00±0.15	X° ±3°	DESIGNER			TITLE: 3.81mm pitch Crimp Terminal	REV: A0	SHEET: 1/1
				0.00±0.25	X° REF±6°	DRAWN	肖丽娟	2018.07.28			