

环保物料

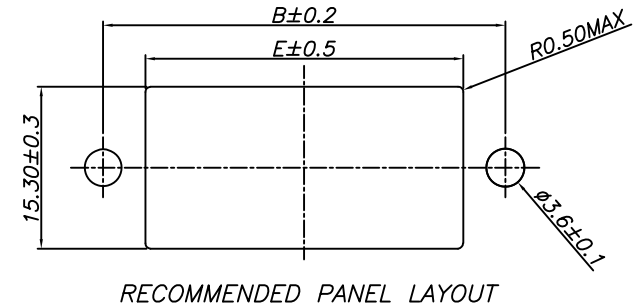
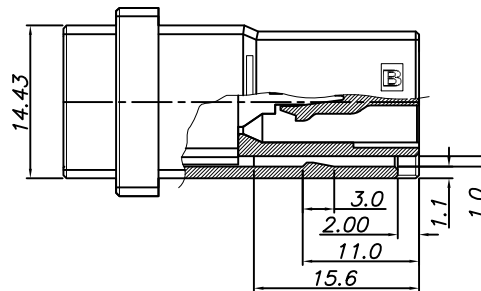
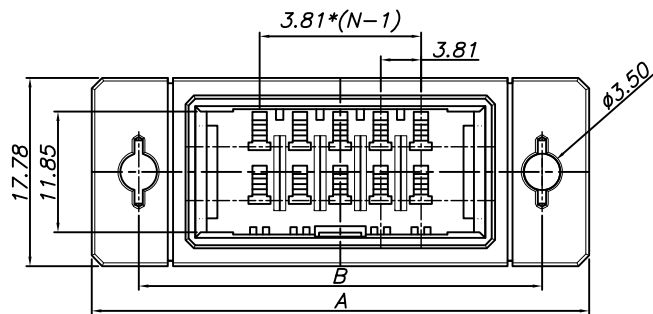
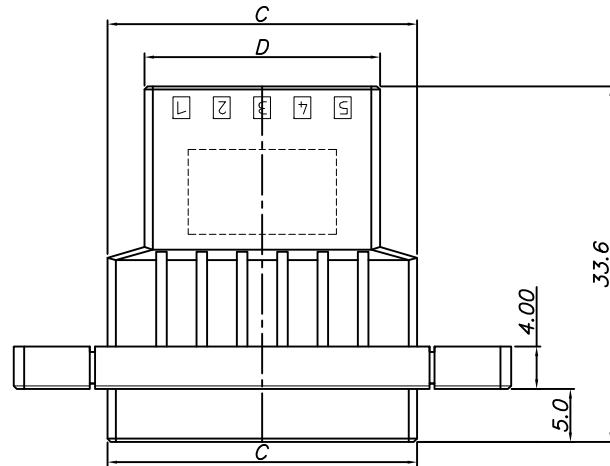
Reference Informations:

*Material: PBT, UL94V-0

*Suitable 33811 series Terminal

Dimensional Information:

Circuits Part No	Dimensions				
	A	B	C	D	E
2*10P	67.0	58.0	48.29	41.29	49.2
2*8P	59.0	50.0	40.67	33.67	41.6
2*6P	51.0	42.0	33.05	26.05	34.0
2*5P	47.0	38.0	29.24	22.24	30.2
2*3P	40.0	31.0	21.62	14.62	22.6



REV.	DESCRIPTION	DATE	UNIT	GENERAL TOLERANCES		SCALE:	NAME	DATE	PART. NO:
				LINEAR	ANGLES				
A0	新图面发行	2018. 07. 28	MM	0.00±0.15	X° ±3°	1:1			43811H00-2*NPA-2-PT
	REVISION RECORD		A4	0.000±0.08	X° X'±2°		肖丽娟	2018. 07. 28	ENDE05

深圳市联索连接器有限公司
SHENZHEN UNICABLE CONNECTOR CO., LTD.
公司网址WWW.SZLSTC.CN 公司电话0755-23765650
公司邮箱SZLSTC@126.COM 公司传真0755-23765753

TITLE:
3.81mm pitch Dual Housing

DWG. NO:
REV: A0 SHEET: 1/1