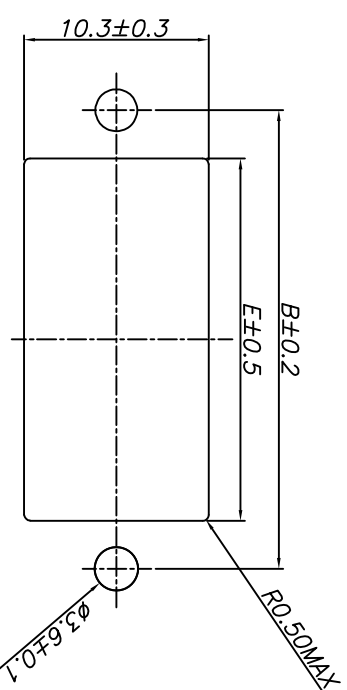
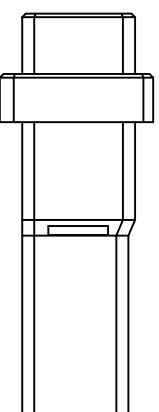
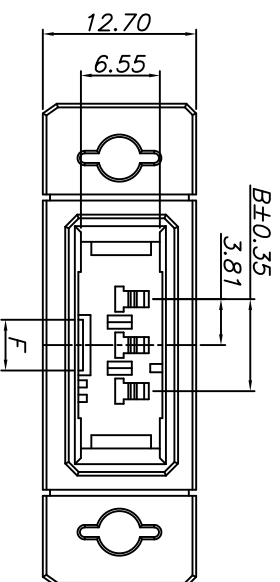
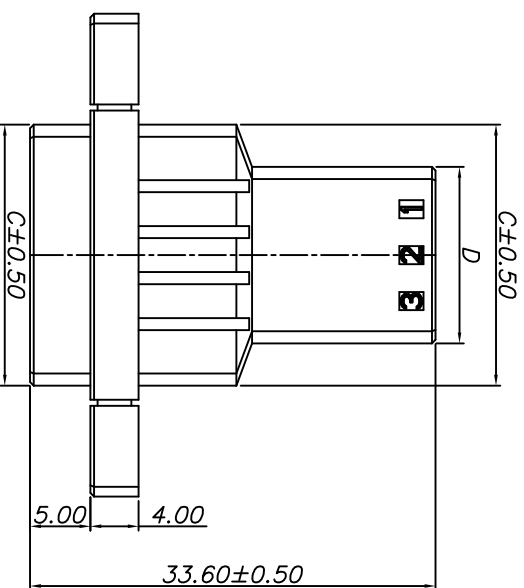


环保物料

Reference Informations:
 *Material: PBT, UL94V-0
 *Suitable 3381I series Terminal


Dimensional Information:

Circuits	Dimensions						
	Part No	A	B	C	D	E	F
10P	67.0	58.0	48.29	41.29	49.2	4.0	4.0
8P	59.0	50.0	40.67	33.67	41.6	4.0	4.0
5P	47.0	38.0	29.24	22.24	30.2	4.0	4.0
3P	40.0	31.0	21.62	14.62	22.6	2.0	2.0



RECOMMENDED PANEL LAYOUT

GENERAL TOLERANCES		SCALE:		NAME	DATE
LINEAR	ANGLES	1:1	APPROVED		
0.0±0.25	X° REF±6°	DESIGNER			
0.00±0.15	X° ±3°	DRAWN		肖丽娟	2018.07.28
0.000±0.08	X° X'±2°				


深圳市联索连接器有限公司
 SHENZHEN UNICABLE CONNECTOR CO., LTD.
 公司网址WWW.SZLSTC.COM 公司电话0755-23765650
 公司邮箱SZLSTC@126.COM 公司传真0755-23765753

TITLE:
3.81mm pitch Dual Housing

PART. NO:	4381IH00-NPA-3-PT
DRG. NO:	ENDE05
REV:	A0
SHEET:	1/1

SCALE:	1:1
UNIT:	MM
DATE:	2018.07.28
REV.:	REVISION RECORD