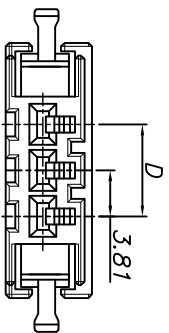
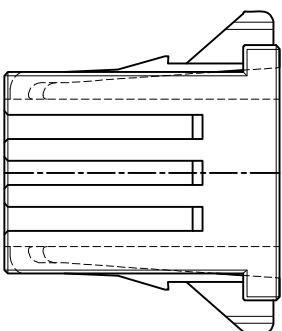
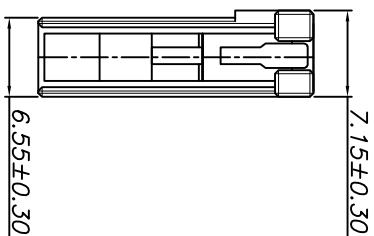
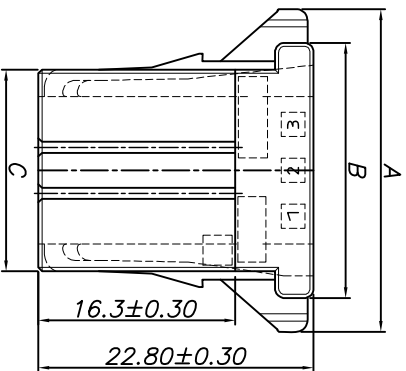
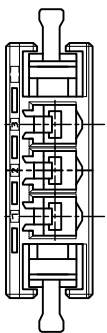


环保物料



Reference Informations:
 *Material: PBT, UL94V-0
 *Suitable 43811 series Terminal

Dimensional Information:

Circuits Part No	Dimensions			
	A	B	C	D
10P	53.43	47.83	43.37	34.29
8P	45.81	40.12	25.97	26.67
6P	38.19	32.59	28.13	19.05
5P	34.38	28.78	24.32	15.24
4P	30.57	24.97	20.51	11.43
3P	26.76	21.16	16.7	7.62

A	1	2	3	4	5	6	7	8
B	1	2	3	4	5	6	7	8
C	1	2	3	4	5	6	7	8
D	1	2	3	4	5	6	7	8
E	1	2	3	4	5	6	7	8
F	1	2	3	4	5	6	7	8
G	1	2	3	4	5	6	7	8
H	1	2	3	4	5	6	7	8



GENERAL TOLERANCES

LINEAR

ANGLES

SCALE:
1:1

NAME

DATE

0.0±0.25

X° REF±6°

APPROVED

DESIGNER

DRAWN

IS 深圳市联泰连接器有限公司
 SHENZHEN UNICABLE CONNECTOR CO., LTD.
 公司网址WWW.SZLSTC.CN
 公司邮箱SZLSTC@126.COM
 公司电话0755-23765650
 公司传真0755-23765753

PART. NO:
43811H00-NPA-PT
 DWG. NO:
ENDE05

新图面发行

2018.07.28

UNIT: MM

0.00±0.15

X° ±3°

DESIGNER

肖丽娟

2018.07.28

TITLE:

3.81mm pitch Single Housing

REV: A0

SHEET: 1/1

REVISION RECORD

DATE

SIZE: A4

0.000±0.08

X° X'±2°

DRAWN

肖丽娟

2018.07.28

TITLE:

3.81mm pitch Single Housing

REV: A0

SHEET: 1/1