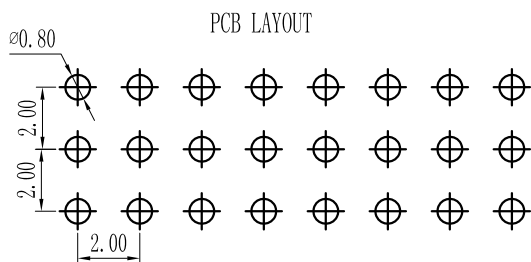
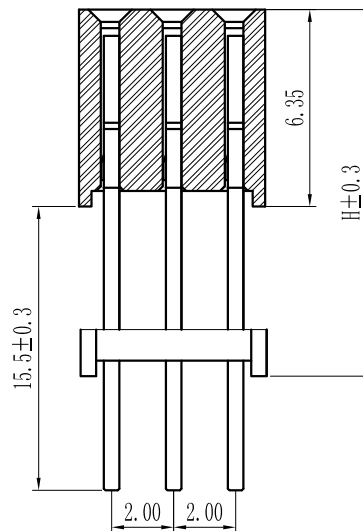
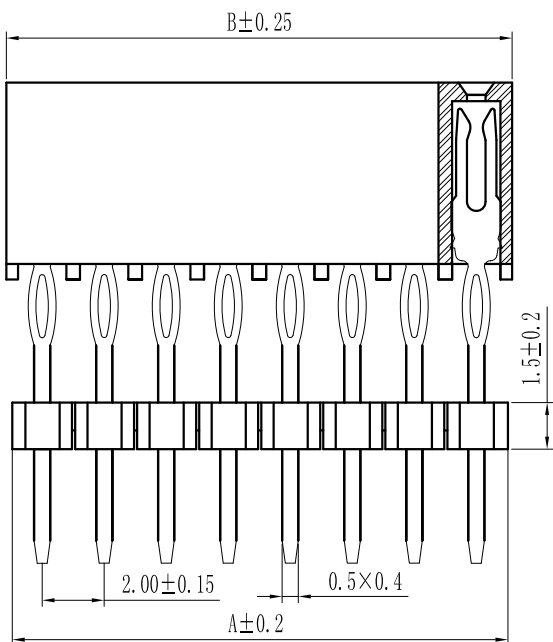
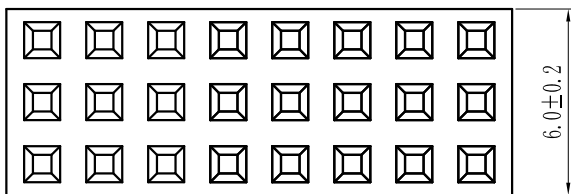



ROHS

For reference only

Pin数	尺寸A	尺寸B
3x3	4.0	6.3
3x4	6.0	8.3
3x5	8.0	10.3
3x6	10.0	12.3
3x7	12.0	14.3
3x8	14.0	16.3
3x9	16.0	18.3
3x10	18.0	20.3
3x11	20.0	22.3
3x12	22.0	24.3
3x13	24.0	26.3
3x14	26.0	28.3
3x15	28.0	30.3
3x16	30.0	32.3
3x17	32.0	34.3
3x18	34.0	36.3
3x19	36.0	38.3
3x20	38.0	40.3
3x21	40.0	42.3
3x22	42.0	44.3
3x23	44.0	46.3
3x24	46.0	48.3
3x25	48.0	50.3
3x26	50.0	52.3
3x27	52.0	54.3
3x28	54.0	56.3
3x29	56.0	58.3
3x30	58.0	60.3
3x31	60.0	62.3
3x32	62.0	64.3
3x33	64.0	66.3
3x34	66.0	68.3
3x35	68.0	70.3
3x36	70.0	72.3
3x37	72.0	74.3
3x38	74.0	76.3
3x39	76.0	78.3
3x40	78.0	80.3



Specification:
 Current Rating : 1.5AMP
 Temperature Range : -40°Cto+105°C
 Contact Resistance : 20mΩ Max
 Insulation Resistance : 1000MΩ Min
 Withstanding Voltage : AC 500V
 Material:
 Insulator : Polyester (UL94V-0)
 Standard:PBT/PA6T/LCP
 Contact: Brass
 Plating : Au or Sn Over 50u" Ni

REV.	REVISION RECORD	DATE	UNIT: MM	GENERAL TOLERANCES		SCALE: 1:1	NAME	DATE	 深圳市联索连接器有限公司 SHENZHEN UNICABLE CONNECTOR CO., LTD. 公司网址WWW.SZLSTC.CN 公司邮箱SZLSTC@126.COM 公司电话0755-23765650 公司传真0755-23765753	PART. NO:	
				LINEAR	ANGLES					LSFH-0101	
				0.00±0.15	X° ±3°	APPROVED				DWG. NO:	
				0.000±0.08	X° X'±2°	DESIGNER			TITLE: Pitch2.0mm Female Header, Triple Row, Plastic Height 6.35mm, Elevated DIP Type(Y)		
			SIZE: A4			DRAWN			REV:	AO	SHEET: 1/1